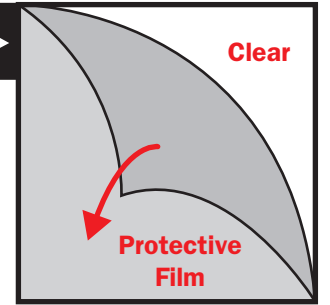


**WARNING: Please follow the instruction carefully. Incorrect assembly or bending may damage the product.**

**PEEL OFF PROTECTIVE FILM BEFORE ASSEMBLY. ▶**

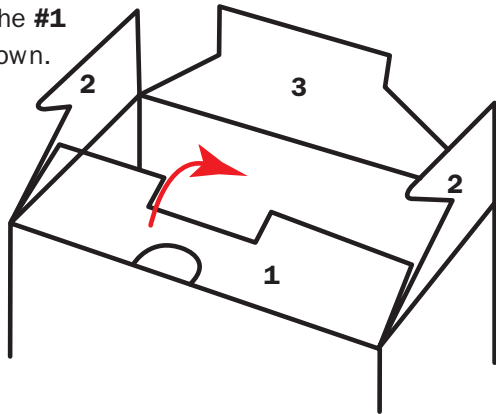
**ASSEMBLY INSTRUCTIONS**

**Content:** Each Shoebby consist of 1 outer box, 1 inner box, 1 handle and optional 4 rubber pads.

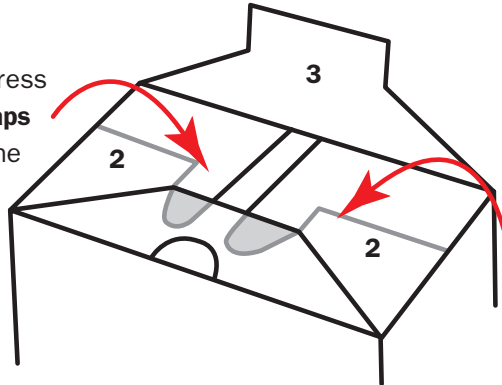


**1. Outer Box Assembly**

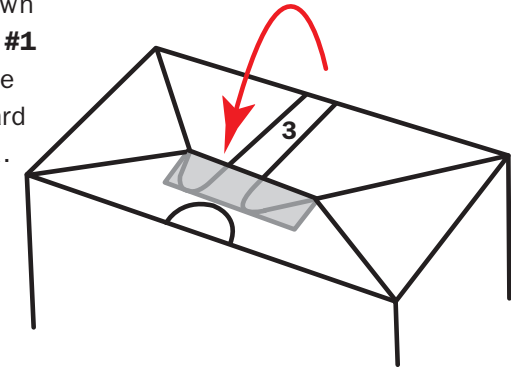
1. Fold the #1 flap down.



2. Fold and press both #2 flaps down till the tips snap under #1.



3. Fold and press #3 flap down till the tip snaps under both #1 and #2 flaps. From inside the box push all the flaps outward till they create a square box.

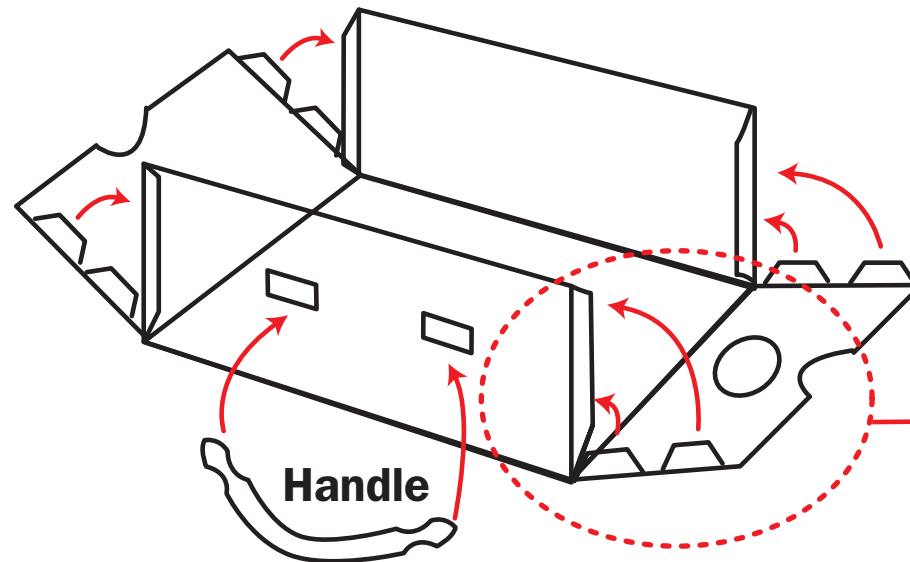


**2. Inner Box Assembly**

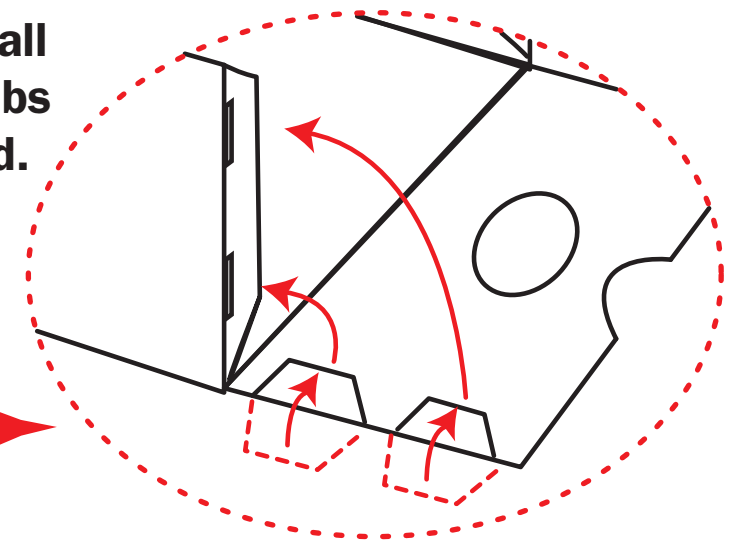
- Gently pre-fold all the sides, flaps and tabs 90 degrees as shown.

- Gently snap all the small tabs into the openings as shown. *(once the tabs are locked in securely, do not force to unlock them as it may damage the product).*

- Insert the Shoebby handle with logo facing outward.



**Bend all the tabs inward.**

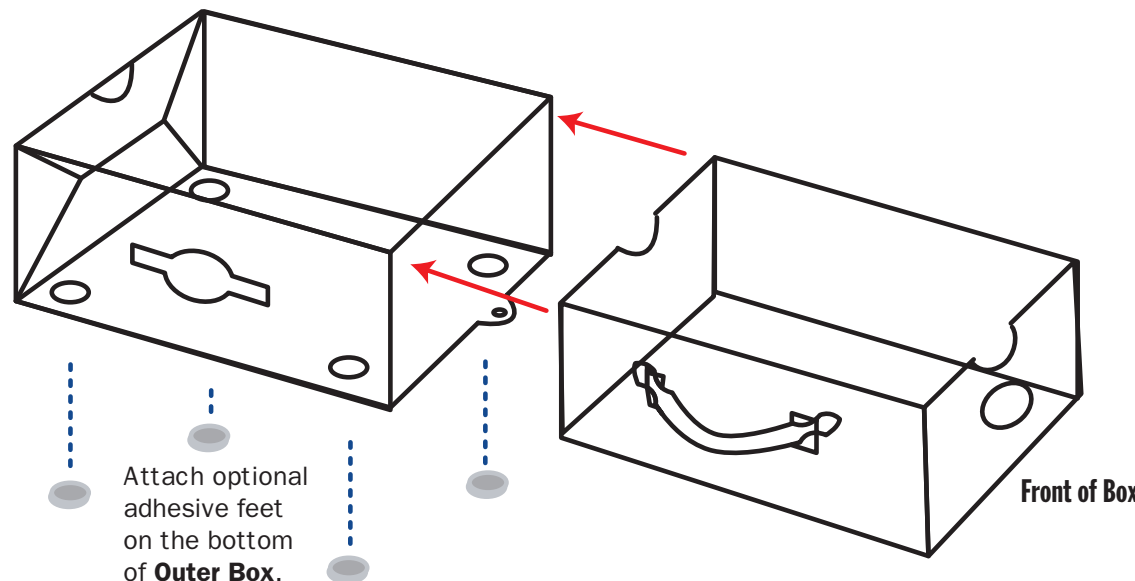


**3. Slide Shoebby Together**

- Slide the inner box with handle facing the handle opening wall.

- The optional anti-slip rubber pads can be attached to the bottom four corners of outer box.

Order your pads at [www.shoebby.com](http://www.shoebby.com)



**Shoebby**  
What a shoe box should be!™

© 2006 The Clear Shoe Box Company, All rights reserved  
Shoebby™ is a trademark of The Clear Shoe Box Company,  
a division of Shoebby International, Rolling Hills Estates, CA 90274.

Distributed by: The Clear Shoe Box Company

U.S. & INTERNATIONAL PATENTS PENDING

Visit us at [www.shoebby.com](http://www.shoebby.com)